

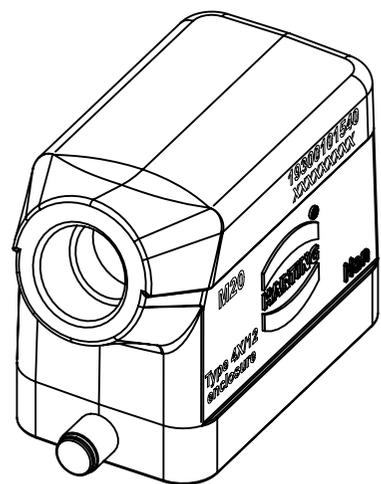
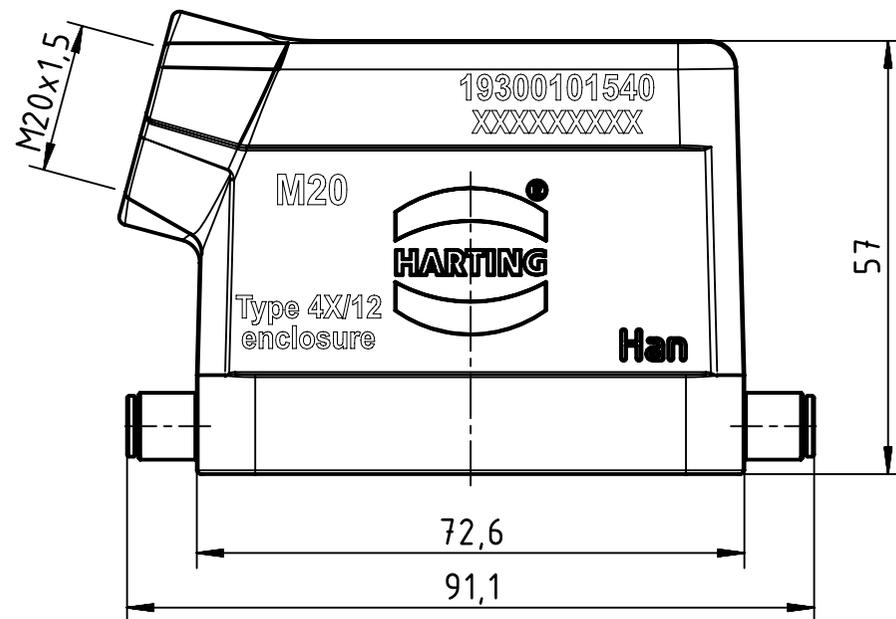
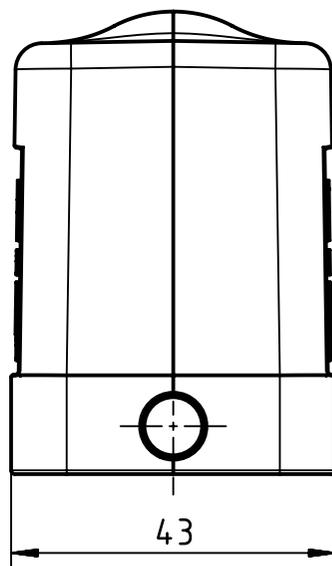
1 2 3 4 5 6

A

B

C

D



	All Dimensions in mm Original Size DIN A4		Scale 1:1	Free size tol.		Ref.		
						Sub.		
	All rights reserved		Created by HELLMANN	Inspected by GERB	Standardisation GARSKE	Date 2019-11-29	State Final Release	
	Department EL PD		Title Han B Hood Side Entry LC 2 Reels M20				Doc-Key / ECM-Nr. 100200086/UGD/004/D 500000161582	
HARTING Electric GmbH & Co. KG D-32339 Espelkamp			Type TB	Number 19 30 010 1540			Rev. D	Page 1/1